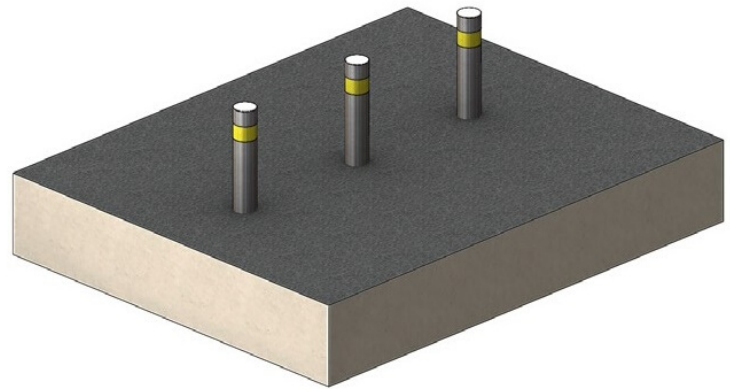




PAS68 STATIC BOLLARD - CR850ST

PAS68 rated static fixed and removable bollard options. The locking system for the removable bollards are hidden within the core and under the sleeve for added security. This bollard has a diameter of 273mm and has been tested with both the N2 and N3 7,500kg at 80kph.

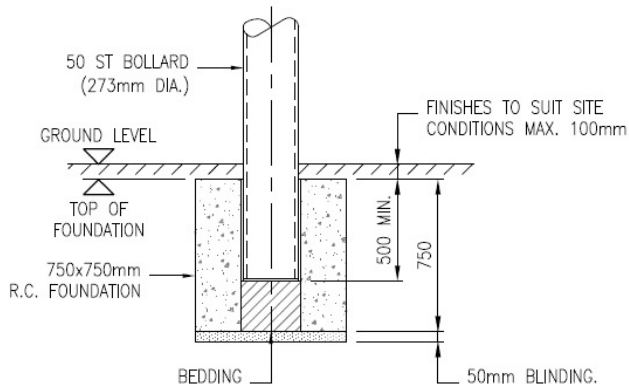


Technical Specifications

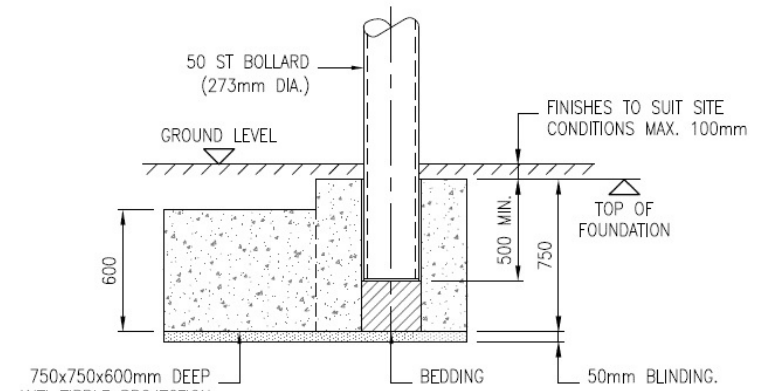
- PAS68:V7500[N2]/80/90:1.0/21.2
- Bollard tested with N2 & N3 7,500kg vehicle at 80kmh
- Diameter: 273mm
- Height: 1000mm above FFL
- Foundation: 750mm, plus 75mm blinding and allowance for 100mm topping
- Optional Finishes: hot dip galvanised (HDC); powder coated; wet painted; stainless steel



PAS68 STATIC BOLLARD - CR850ST



SECTION A-A



SECTION B-B

Features

- Internal locking mechanism with hidden locks
- Optional: stainless steel, decorative or site specific bespoke sleeves available
- 1000mm finish height (bespoke heights available on request)
- Static fixed and removeable options



Security Providers Licence:
3251000

Electrical Contractor's Licence:
86460



QBCC Licence:
1133023



Master Builders Member:
64928



ASIS Member:
312860



ASIAL Member:
37871



Perimeter Security Suppliers Association
INSTALLER MEMBER

