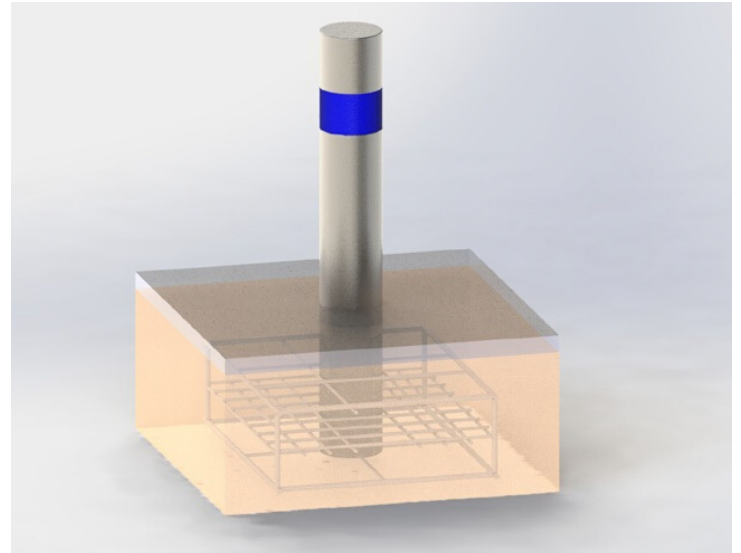




PAS68 STATIC BOLLARD - CR830SH

This shallow foundation bollard has been nicknamed "bollard in a box" and is one of the first bollards on the market supplied complete with integral re-bar. It was also the first shallow static bollard to be tested as a single unit with single foundation. This bollard was tested with the N2 7,500kg vehicle at 48kph. The CR830SH is a shallow 400mm foundation helping to simplify installation programmes. The CR830SH will protect any key facility from a vehicular based attack (refer to Technical Specifications).

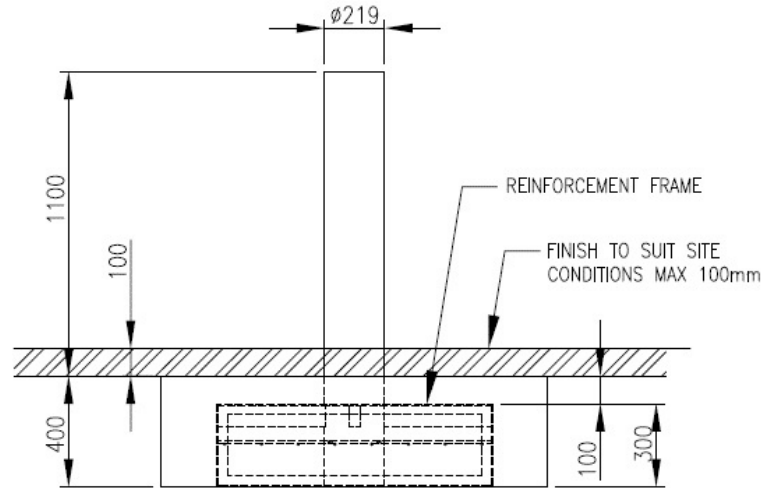
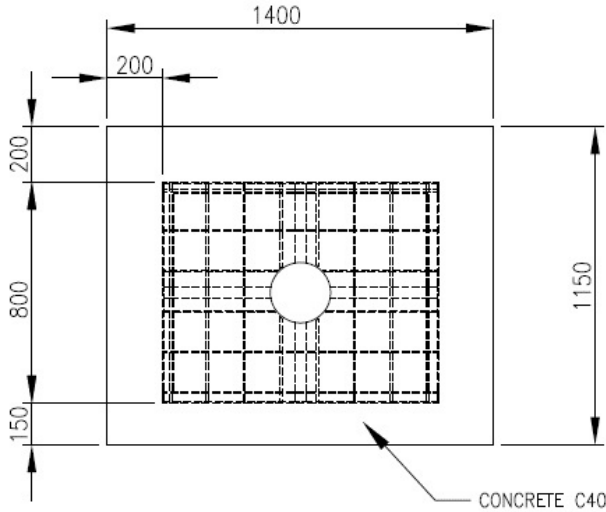


Technical Specifications

- PAS68: V7500[N2]/48/90:1.1/0.0
- Bollard tested as a single unit with N2 7,500kg vehicle at 48kph
- Diameter: 219mm
- Height: 1000mm above FFL
- Foundation: 400mm, plus allowance for 100mm topping
- Optional Finishes: hot dip galvanised (HDG); powder coated; wet painted; stainless steel
- Supplied pre-fabricated with foundation cage, no additional re-bar required



PAS68 STATIC BOLLARD - CR830SH



Features

- Very shallow foundation at just 400mm
- 1000mm raise height above ground
- Slim 219mm diameter when finished with paint or stainless steel
- Optional stainless steel sleeve can be designed to your specific requirements
- Static fixed and removeable options
- Supplied with integral re-bar making installation simple and quick
- Very easy to install, no additional re-bar, no connections, no complicated foundations, simply dig, position and concrete
- Can be installed as a single unit



Security Providers Licence:
3251000

Electrical Contractor's Licence:
86460



QBCC Licence:
1133023



Master Builders Member:
64928



ASIS Member:
312860



ASIAL Member:
37871



Perimeter Security Suppliers Association
INSTALLER MEMBER

