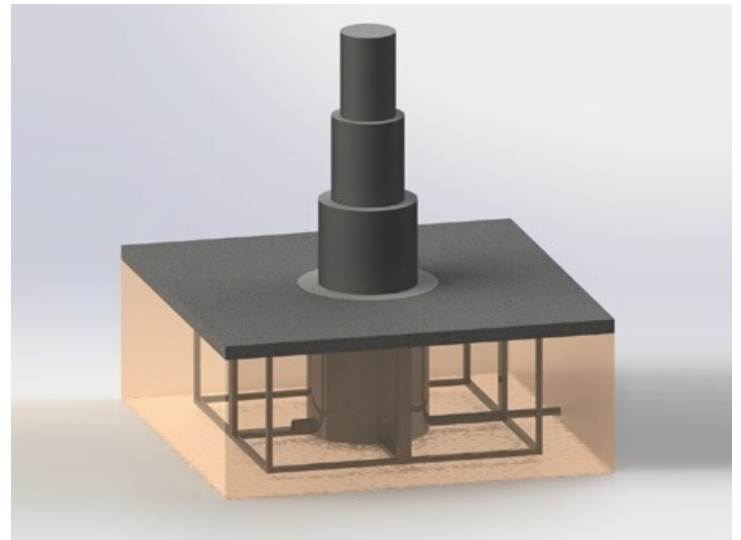




PAS68 RETRACTABLE BOLLARD - CR830AT

The CR830AT is the world's shallowest foundation automatically rising PAS68 telescopic bollard that has been fully tested with the N2 7,500kg vehicle travelling at 48kph. With a foundation depth of just 500mm (almost half the depth of its nearest competitor) it has an impressive raise height of 900mm to prevent most vehicles from gaining access to your facility. This was tested as a single unit with a single foundation is supplied complete with integral re-bar pre-attached to the bollard making installation very easy.

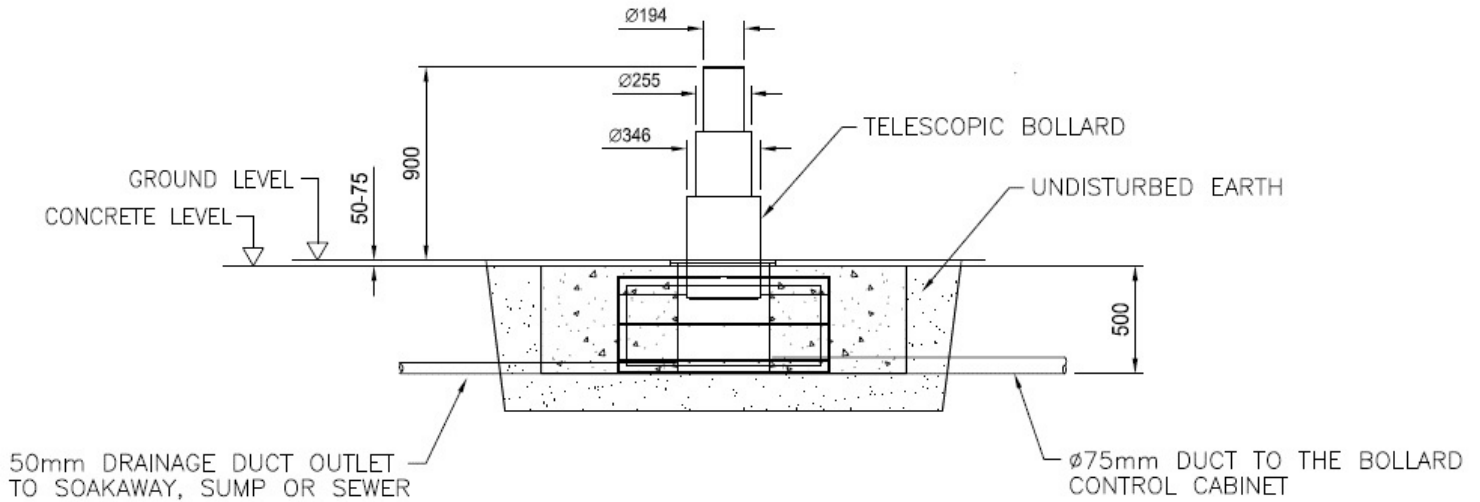


Technical Specifications

- PAS68: V7500[N2]/48/90:0/0
- Bollard tested as a single unit with N2 7,500kg vehicle at 48kph
- Zero penetration
- Diameter: 346/255/194mm - arrays at 1455mm centres
- Height: 900mm above FFL
- Foundation: 1700mm sq x 500mm deep
- Optional Finishes: hot dip galvanised (HDG); powder coated; wet painted; stainless steel
- Operation: automated - 3 phase supply, manual system or hand-pump
- Raise Speed: 8-10 seconds standard, 3-4 seconds with optional EFO (Emergency Fast Operation)



PAS68 RETRACTABLE BOLLARD - CR830AT



Features

- Impact tested as single unit in a single foundation
- Very shallow foundation of just 500mm
- 900mm raise height above ground
- Can be supplied with LPS SR2 or LPS SR4 security cabinets if required
- 100% duty cycle
- Supplied with integral re-bar making installation simple and quick
- Supplied with high performance control board
- Uses 3 phase power at 10amp
- Works standalone or in unison with other products



Security Providers Licence:
3251000

Electrical Contractor's Licence:
86460



QBCC Licence:
1133023



Master Builders Member:
64928



ASIS Member:
312860



ASIAL Member:
37871



Perimeter Security Suppliers Association
INSTALLER MEMBER

