



PAS68 RETRACTABLE BOLLARD - CR830A

The CR830A is a highly versatile and slim automatically rising PAS68 bollard that has been fully tested with the N2 7,500kg vehicle travelling at 48kph. This was tested as a single unit with a single foundation and is supplied complete with integral re-bar pre-attached to the bollard making installation very easy. The CR830A will protect any key facility from a vehicular based attack (refer to Technical Specifications).

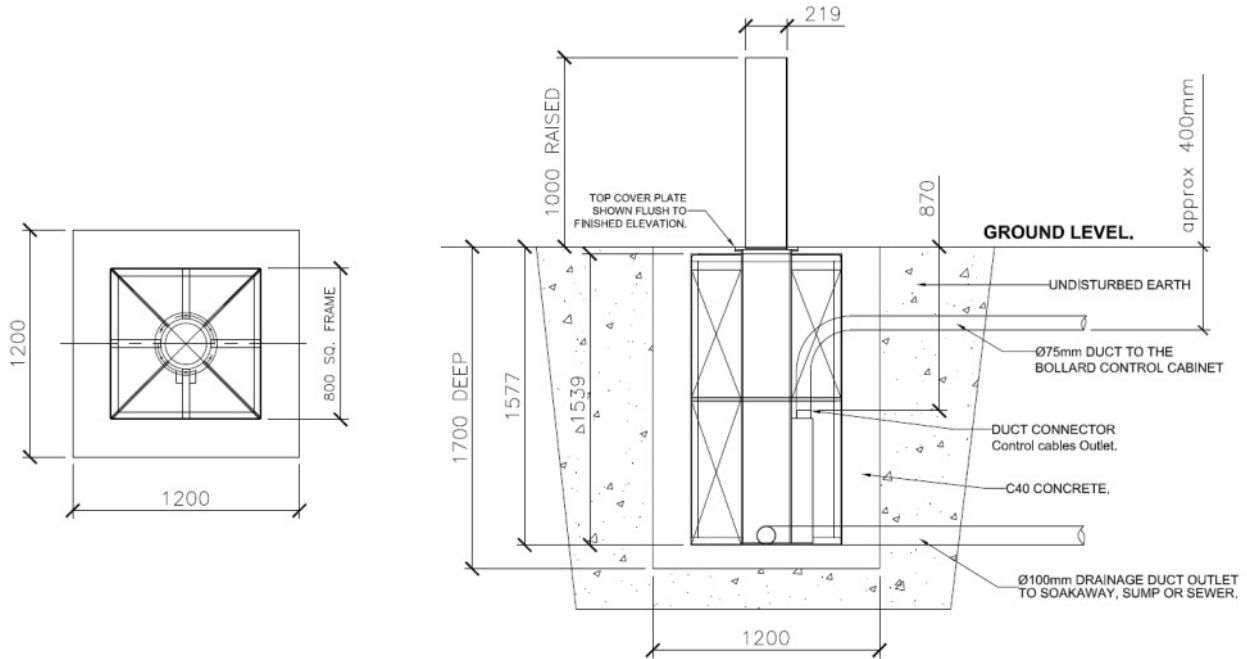


Technical Specifications

- PAS68: V7500[N2]/48/90:0/0
- Bollard tested as a single unit with N2 7,500kg vehicle at 48kph
- Diameter: 219mm
- Height: 1000mm above FFL
- Foundation: 1700mm
- Optional Finishes: hot dip galvanised (HDG); powder coated; wet painted; stainless steel
- Operation: automated, can be used as a manual system or hand-pump
- Raise Speed: 6 seconds standard, optional EFO (Emergency Fast Operation)



PAS68 RETRACTABLE BOLLARD - CR830A



Features

- Impact tested as single unit in a single foundation
- Slim 219mm diameter bollard when finished with paint or stainless steel
- Optional stainless steel sleeve can be designed to your specific requirements
- Can be supplied with LPS SR2 or LPS SR4 security cabinets if required
- 1000mm raise height above ground
- Raises and lowers in circa 6-8 seconds
- Supplied with integral re-bar making installation simple and quick
- Supplied with high performance control board
- Works standalone or in unison with other products
- Zero penetration after impact
- Uses 3 phase power at 10amp
- 100% duty cycle



Security Providers Licence:
3251000

Electrical Contractor's Licence:
86460



QBCC Licence:
1133023



Master Builders Member:
64928



ASIS Member:
312860



ASIAL Member:
37871



Perimeter Security Suppliers Association
INSTALLER MEMBER

